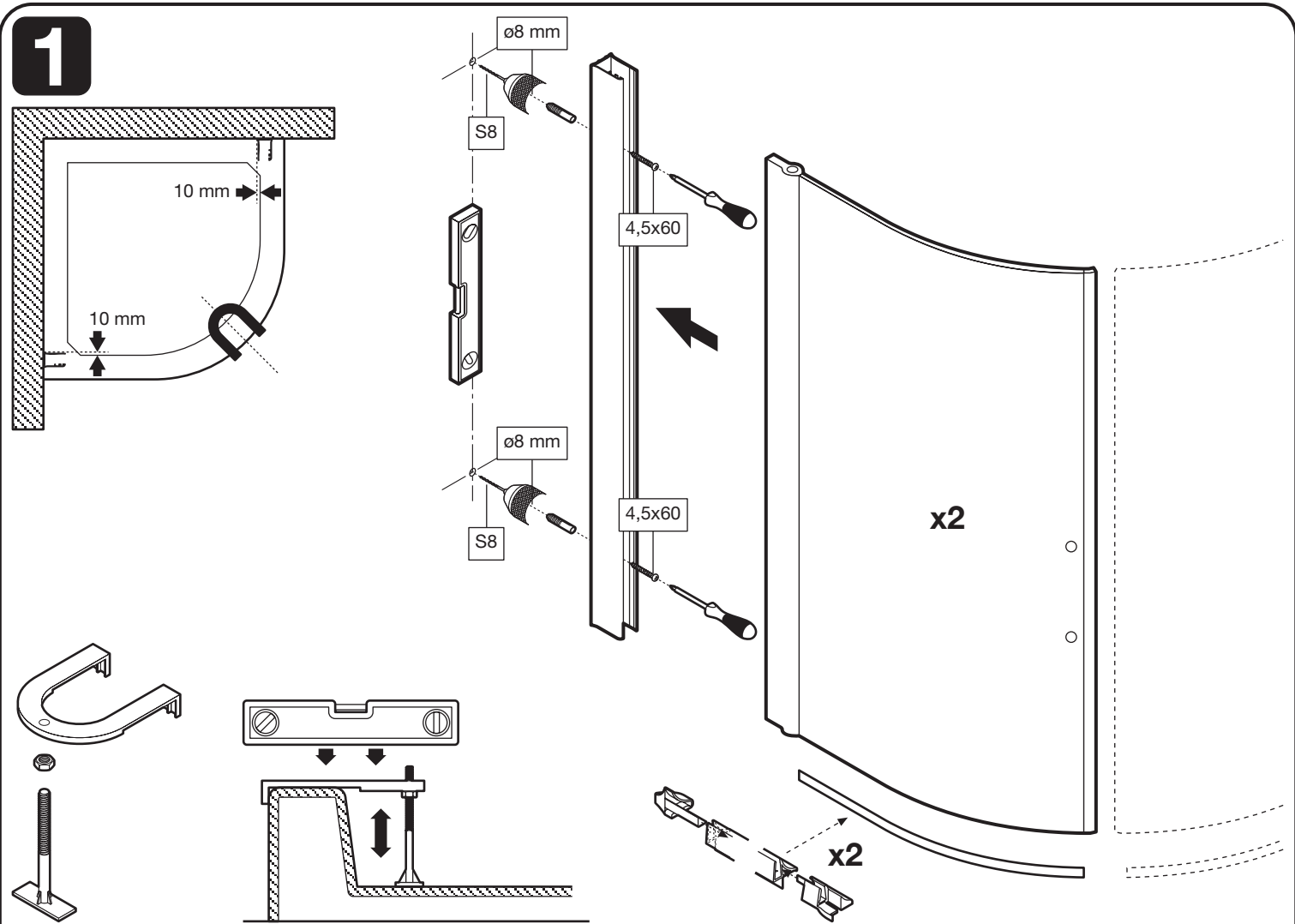


60090MRO (11 2008)

1



2

